

GRACY Trolley Solution

DATASHEET FOR 51473.01

LED iBOND

Product Description

- 4x shelves with built-in light
- Power unit which can power up to 4 light shelves
- Magnetic interconnection between power unit and shelves for easy installation and removal
- Dimmable via push button on the power unit

Application

Horticulture lighting designed for UNI-TROLL M2 racks. Which transforms the M2 rack into a versatile vertical farming rack.



Mains

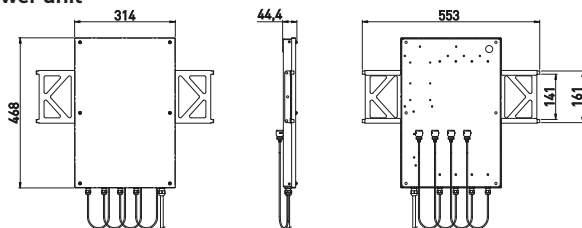
Voltage range	220-240 VAC
Frequency	50 / 60 Hz
Current	1,02 A
Power	230 W
Power factor	≥ 0,95
Standby loss	1,0 W
Dimming type(s)	Push button
Dimming range	8-100 %

Quantity of shelves	Power consumption	Power consumption / shelf
1	61 W	61 W
2	118 W	59 W
3	174 W	58 W
4	230 W	58 W

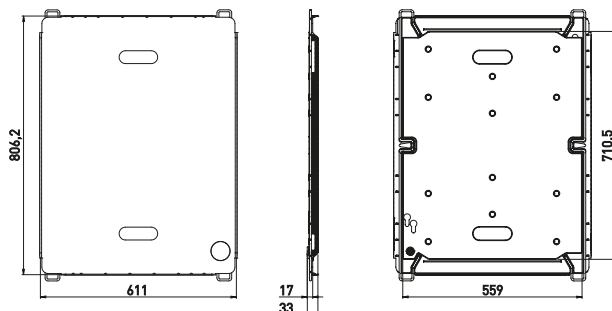
NOTE! Power consumption at full power

Dimensions

Power unit



Light shelf



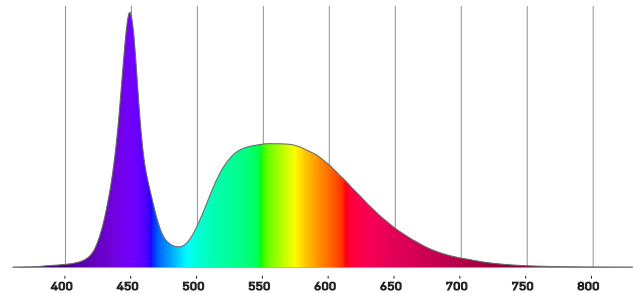
IP54        

Photometric (Shelf)

PPF	84 $\mu\text{mol/s}$
PPF efficiency*	1,50 $\mu\text{mol/s/W}$
LED efficiency	1,70 $\mu\text{mol/J}$
Corelated colour temperature	6500 K
Chromaticity tolerance	5 SDCM
Colour rendering index	70+

*NOTE. At 4 connected shelves

Spectrum



Lifetime

L80 @ta 35°C

50.000 hrs

Safety & Markings

Marking	CE
Electrical shock protection	Cl. I
Ingress protection	IP54
Blue light hazard	RG2