

Installation Guide

How to mount and install

TRACY® Light Panels

Contents in this Guide:

- Mounting
- Installation

How-to video
installation guides:



ledibond.com/btb

Components



TRACY® Light Panel



Mounting bracket



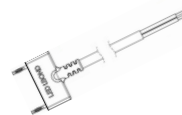
Connector socket



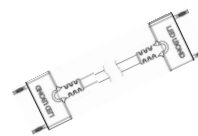
Connector pin



End cap



Power cable (24 VDC)
(Indoor or Outdoor type)



Link cable (24 VDC)
(Outdoor type)



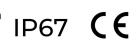
Allen key



Counter sunk screw
(Not included)



Raw plug
(Not included)



Installation Guide

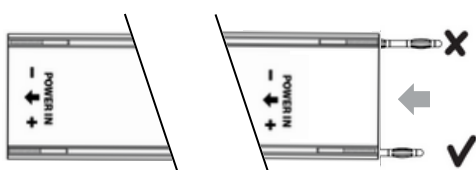
TRACY® Light Panels

Mounting of TRACY® light panels in a row



Measure and mark positions for **all** mounting brackets for the full row!

Insert connector pins into "Power Out":



Light panel - back side view

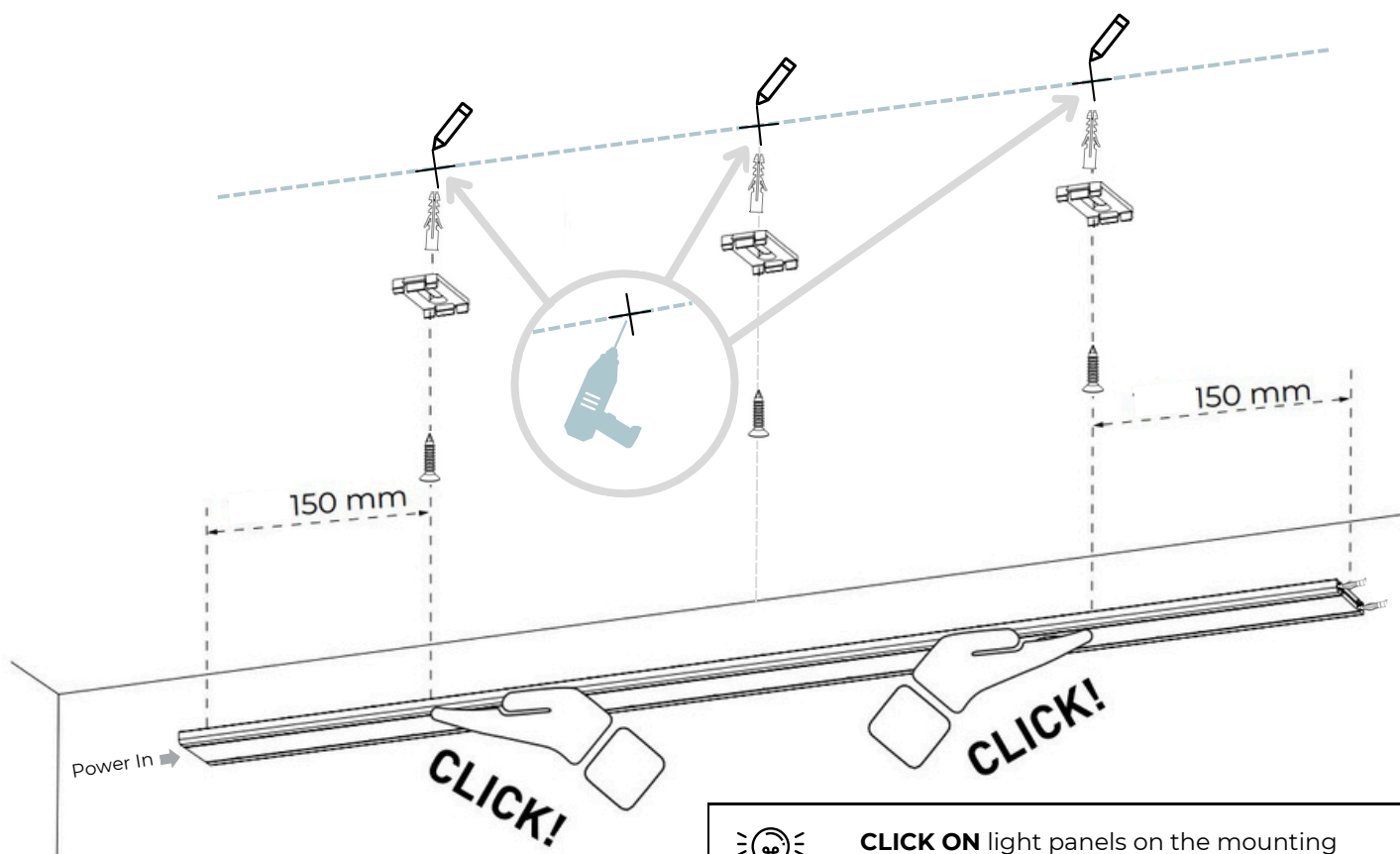


CAUTION: Make sure there is **NO electrical connection** between light panels and other electrically conductive elements e.g. grounded metal parts:

↓ USE ONLY countersunk screws - MAX head diameter 7 mm.

DO NOT tighten bracket screws more, than they can still be moved sideways by hand.

NOTE: For 1800 mm panels: add centered bracket.



CLICK ON light panels on the mounting brackets by hand - **ONE SIDE AT THE TIME!**

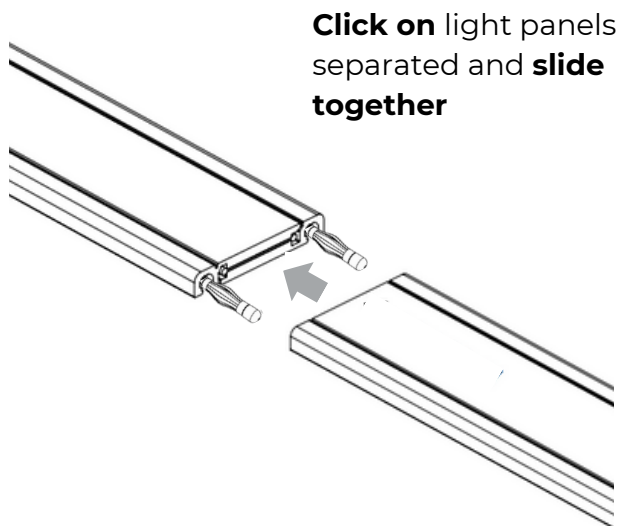


DO NOT hammer or force the light panels onto the mounting brackets.

Installation Guide

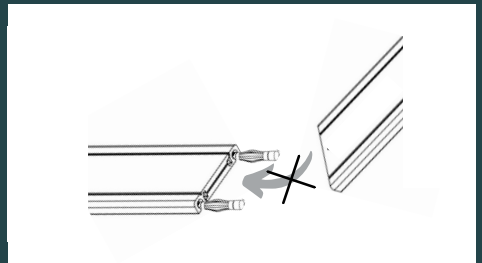
TRACY® Light Panels

Connecting TRACY light panels in a row

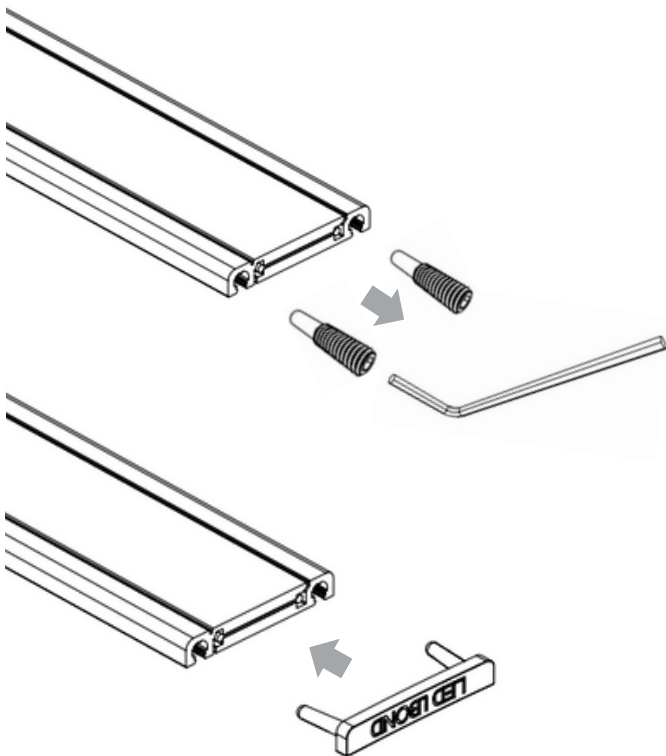


CAUTION:

Avoid bending connector pins; **ONLY slide** panels together!



End of row



NOTE:

The end of row (Power Out) can be left open or closed by an End Cap

Installation Guide

TRACY® Light Panels

Support

We hope the installation of our TRACY® product went well.

If you need further support you can contact our customer service team at

sales@ledibond.com or call **+45 7070 7855**

**How-to video
installation guides:**



ledibond.com/btb

Trouble Shooting



ledibond.com/btb-troubleshooting

LED iBond A/S

Agern Allé 5A

DK-29709 Hørsholm

Denmark

LED iBOND