

# Installation Guide

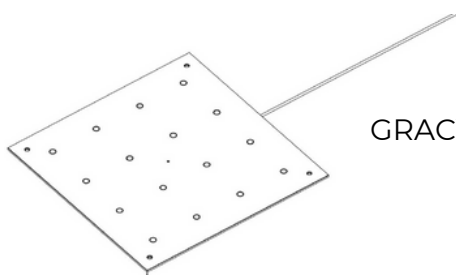
How to mount and install

## GRACY™ SQR 600x600-16

### Contents in this Guide:

- Notice and links to more information
- Components
- Preparing installation
- Adjusting PSU output current
- Installing cables, PSU's & boxes
- Mounting GRACY™ light panels
- Connecting GRACY™ light panels to PSU

### Components



GRACY™ Light Panel



Power Supply (PSU)



Screw Sockets

#### How-to installation guides:



[ledibond.com/btb](http://ledibond.com/btb)

#### Mean Well Installation Manual



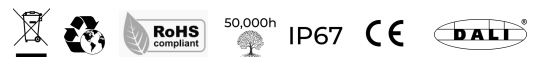
[https://www.meanwell.com/Upload/PDF/LED\\_EN.pdf](https://www.meanwell.com/Upload/PDF/LED_EN.pdf)

#### Important notice:

The LED's in this LED panel cannot be replaced.

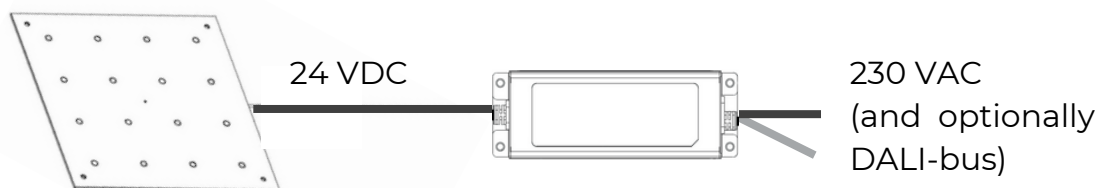
The LED panel must be installed in accordance with all applicable building regulations.

At the end of use, the light panels must be treated as electrical scrap and disposed of in accordance with applicable regulations.



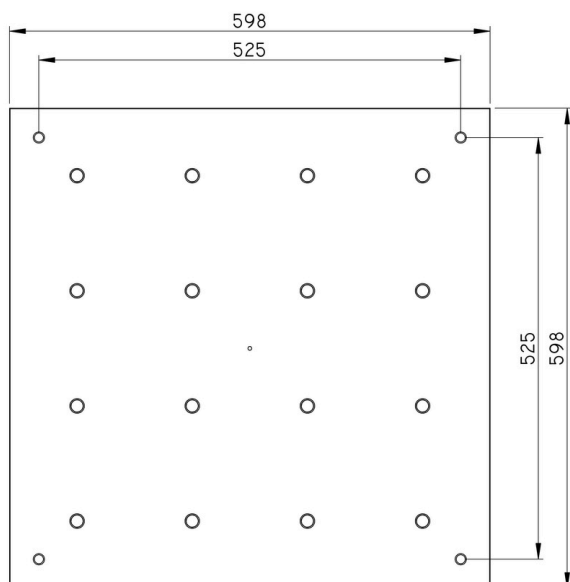
# Installation Guide

## GRACY™ Light Panels and PSU



### 1. Preparing installation

Establish a suitable supporting structure so that it is possible to mount the LED panel using the integrated mounting holes.



#### NOTE:

All 230 VAC wiring must be installed and connected by an authorized electrician!



**SWITCH OFF** and **disconnect** 230 VAC power supply

### 2. Adjusting PSU output current

The output current must be adjusted on the PSU - see next page - to fit desired light level.

#### Recommended current values

(GRACY SQR 600x600-16)

Wattage (W)	Current (A)	Lumen (lm)
20	0,9	3.960
40	1,73	7.050
60	2,5	9.730
75	3,06	11.480



**SWITCH ON** the 230VAC power at the circuit breaker.



**Guide to recommended current levels:**



[ledibond.com/btb-currentadjust](http://ledibond.com/btb-currentadjust)

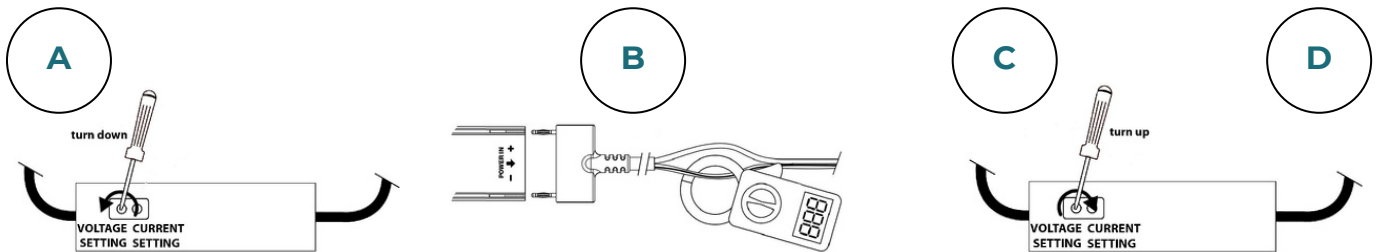
# Installation Guide

## GRACY™ Light Panels and PSU

### Current adjustment guide (Applies to Mean Well PSU types A/AB/DA).

The SQR 600x600-16 LED panels can be operated at max. 50W. PSUs are factory preset to operate at 40W. If higher or lower brightness is desired, PSUs can be regulated by following the instructions below. For ease of installation adjust all PSU's before mounting them.

1. Remove plastic plugs from the back side of the PSU.
2. Turn the potentiometers for current (I) and voltage (U) all the way down (rotate counter-clockwise). (A)
3. Connect PSU to LED light panel.
4. Connect supply voltage and switch on power.
5. Turn PSU voltage (U) back all the way up (C)
6. Measure current with clamp amp-meter (B). Pliers are placed around one of the leads from the panel.
7. Slowly increase the PSU current (I) to the desired value (see recommended current values) (C)
8. Disconnect supply voltage, disconnect PSU and refit plastic plugs.



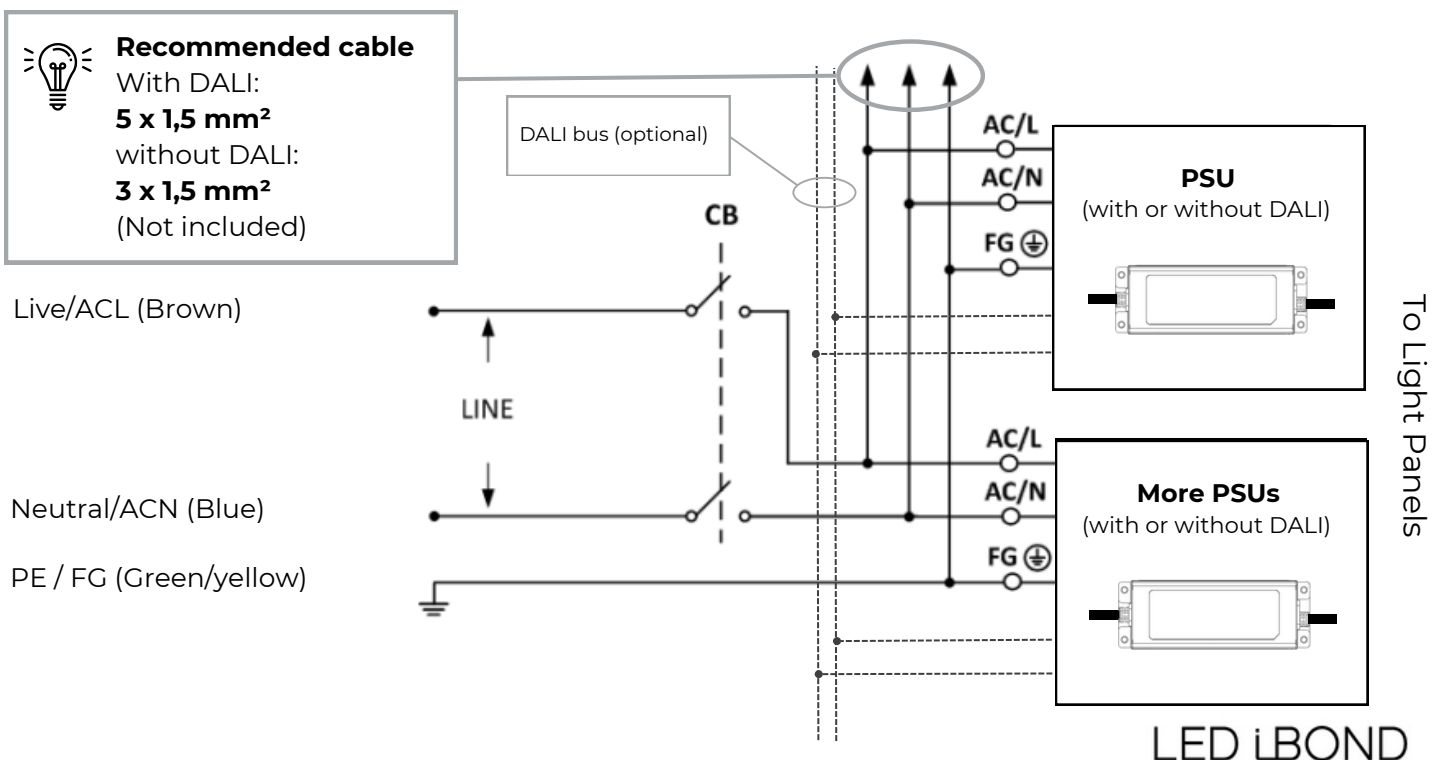
### 3. Installing cables, PSU's & boxes

- Route cables and mount PSUs and electric boxes to connect LED panels.
- All cables between the light panel and the PSU must be properly secured to the structure.



If cables pass through holes in metal or over sharp edges that can damage the cable insulation, these places must be fitted with cable grommets.

### Wiring diagram



# Installation Guide

## GRACY™ Light Panels and PSU

### Mounting of PSU's

Ensure good ventilation around PSU  
- 10 cm clearance on all sides.

### 4. Mounting GRACY™ light panels

Lift the LED panel up to the supporting structure.

Fasten the LED panel to the supporting structure, using the supplied screws, washers and sockets.

### 5. Connecting GRACY™ light panels to PSU (24 VDC)

Connect the LED panel cable to the secondary side of the PSU (DC):

- Connect RED wire from light panel to PSU wire (+)
- Connect BLACK wire from light panel to PSU wire (-)

### Support

We trust the installation of our GRACY™ product went well.

If you need further support you can contact our customer service team at

[sales@ledibond.com](mailto:sales@ledibond.com) or call **+45 7070 7855**

#### LED iBond A/S

Agern Allé 5A  
DK-29709 Hørsholm  
Denmark



**SWITCH OFF** 230VAC power before PSU installation.

**DO NOT** mount PSU on the LED panel.



**DO NOT** drill or screw into the LED panel.



If the **DALI** PSU is used, connect signal conductors to the DALI terminals of the power supply.



**CAUTION:**  
Be carefull to connect power cord correctly (**Observe polarity**)



If the **DALI** PSU is used, connect signal conductors to the DALI terminals on the power supply.

**How-to installation guides:**

[ledibond.com/btb](http://ledibond.com/btb)



**Trouble Shooting**

[ledibond.com/btb-troubleshooting](http://ledibond.com/btb-troubleshooting)



LED iBOND