

# Installation Guide

How to mount and install

## TRACY® Light Panels

### Contents in this Guide:

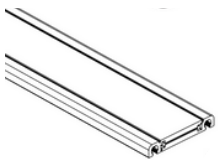
- Mounting
- Installation

How-to video  
installation guides:



[ledibond.com/btb](http://ledibond.com/btb)

### Components



TRACY® Light Panel



Mounting bracket



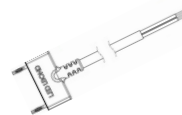
Connector socket



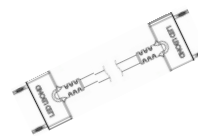
Connector pin



End cap



Power cable (24 VDC)  
(Indoor or Outdoor type)



Link cable (24 VDC)  
(Outdoor type)



Allen key



Countersunk screw  
MAX head diameter 7 mm  
(Not included)



Raw plug  
(Not included)



# Installation Guide

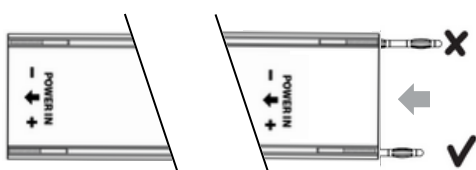
## TRACY® Light Panels

### Mounting of TRACY® light panels in a row



**Measure and mark** positions for **all** mounting brackets for the full row!

#### Insert connector pins



Light panel - back side view

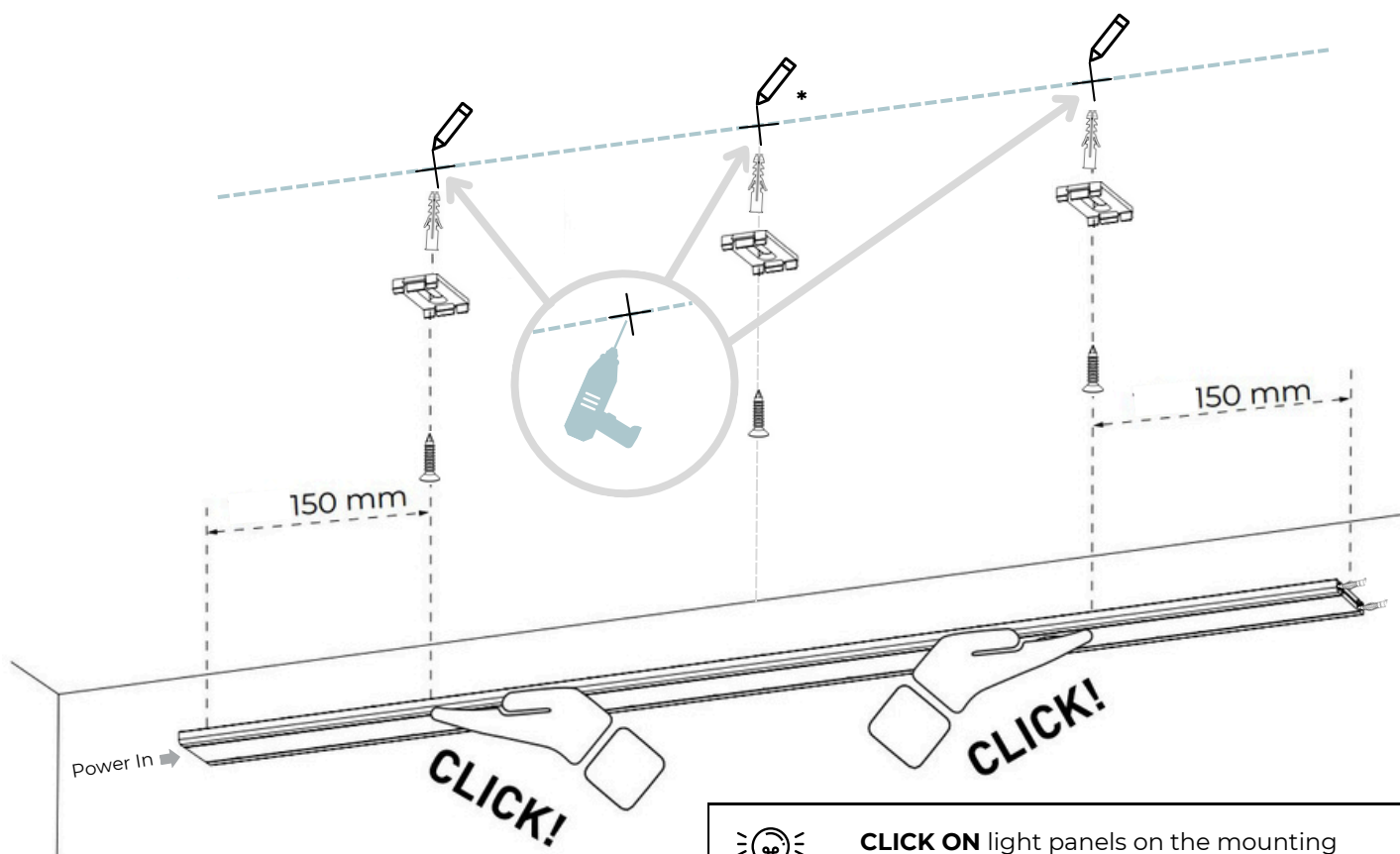


**CAUTION:** Make sure there is **NO electrical connection** between light panels and other electrically conductive elements e.g. grounded metal parts:

↓ USE ONLY countersunk screws -  
↓ MAX head diameter 7 mm.

**DO NOT** tighten bracket screws more, than they can still be moved sideways by hand.

**NOTE:** For 1800 mm panels: add centered bracket\*



**CLICK ON** light panels on the mounting brackets by hand - **ONE SIDE AT THE TIME!**

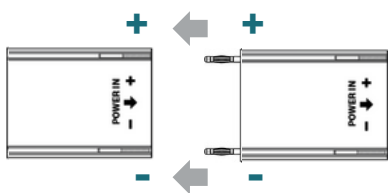
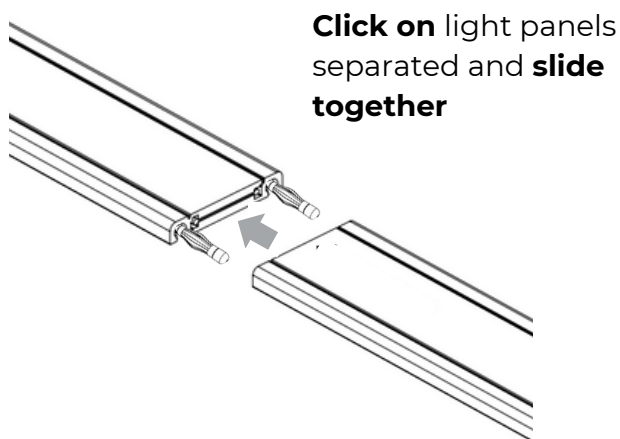


**DO NOT** hammer or force the light panels onto the mounting brackets.

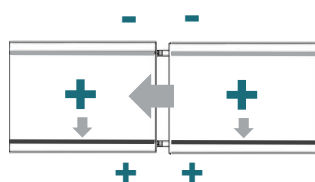
# Installation Guide

## TRACY® Light Panels

### Connecting TRACY light panels in a row



Back Side View

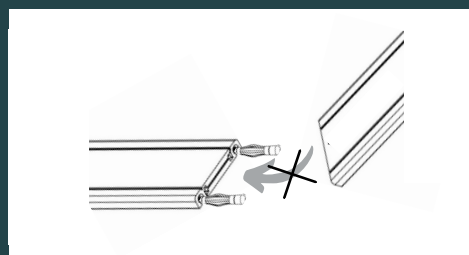


Front Side View



#### CAUTION:

Avoid bending connector pins; **ONLY slide** panels together!

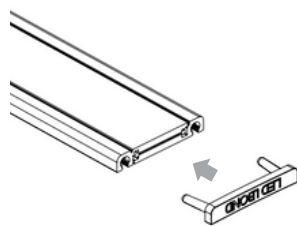
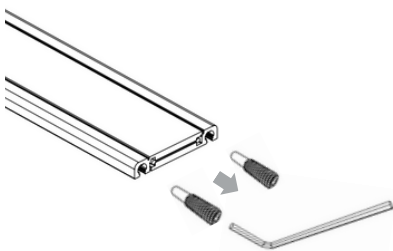


#### CAUTION:

##### Observe POLARITY

when connecting panels!  
Polarity is marked the TRACY® Light Panels.

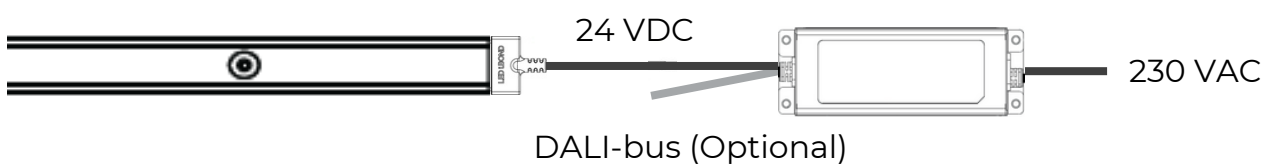
### End of row



#### NOTE:

The end of row (Power Out) can be left open or closed by an End Cap (remove connector sockets if mounted)

### PSU installation



TRACY PSU  
installation guide

[ledibond.com/btb](http://ledibond.com/btb)



LED LBOND

# Installation Guide

## TRACY® Light Panels

### Support

We hope the installation of our TRACY® product went well.

If you need further support you can contact our customer service team at

**sales@ledibond.com** or call **+45 7070 7855**

**How-to video  
installation guides:**



[ledibond.com/btb](https://ledibond.com/btb)

**Trouble Shooting**



[ledibond.com/btb-troubleshooting](https://ledibond.com/btb-troubleshooting)

**LED iBond A/S**

Agern Allé 5A

DK-29709 Hørsholm

Denmark

LED iBOND